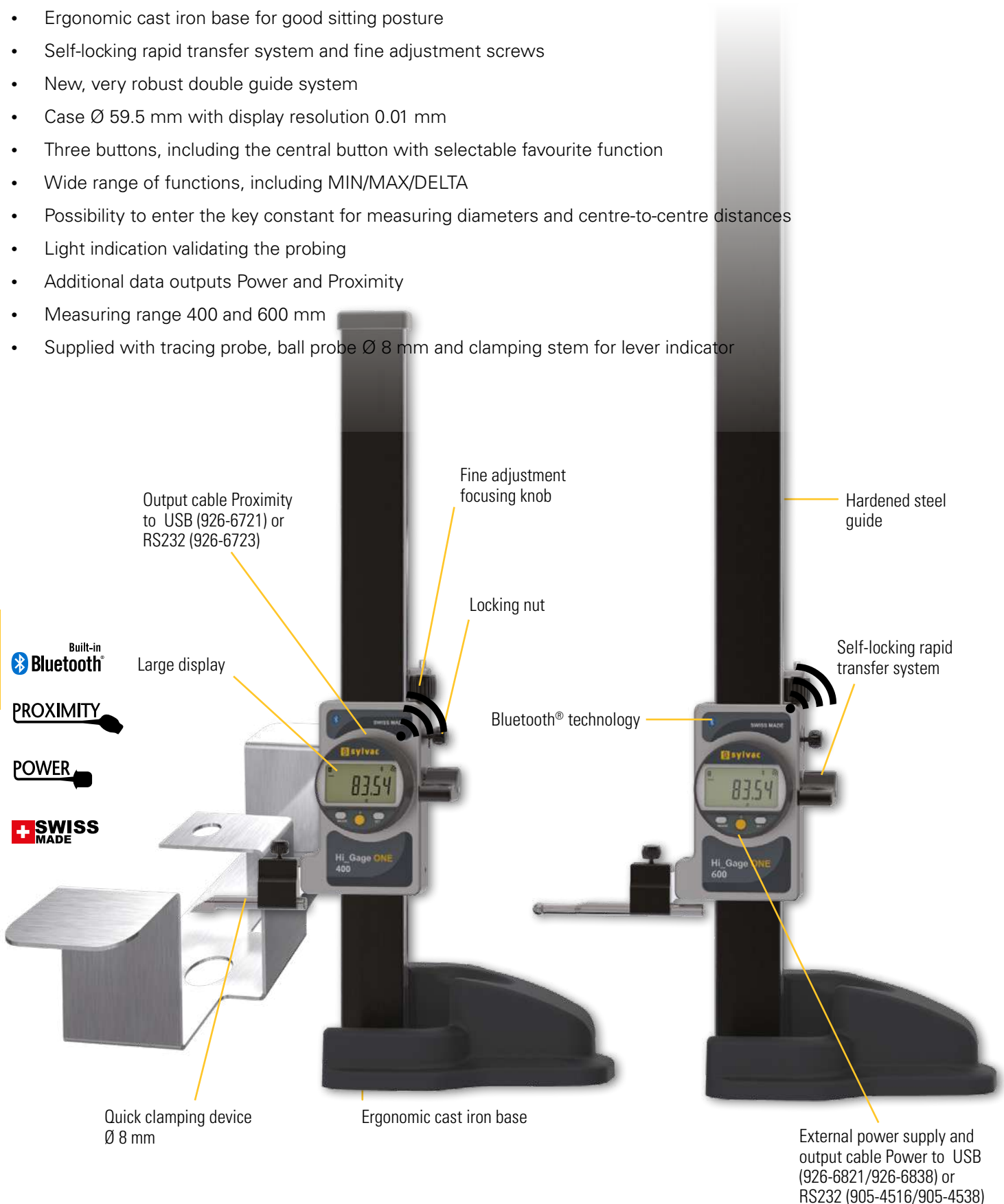


Height gauge

Hi_Gage ONE Smart

DESCRIPTION

- Measuring and tracing column with integrated Bluetooth® system
- Ergonomic cast iron base for good sitting posture
- Self-locking rapid transfer system and fine adjustment screws
- New, very robust double guide system
- Case Ø 59.5 mm with display resolution 0.01 mm
- Three buttons, including the central button with selectable favourite function
- Wide range of functions, including MIN/MAX/DELTA
- Possibility to enter the key constant for measuring diameters and centre-to-centre distances
- Light indication validating the probing
- Additional data outputs Power and Proximity
- Measuring range 400 and 600 mm
- Supplied with tracing probe, ball probe Ø 8 mm and clamping stem for lever indicator

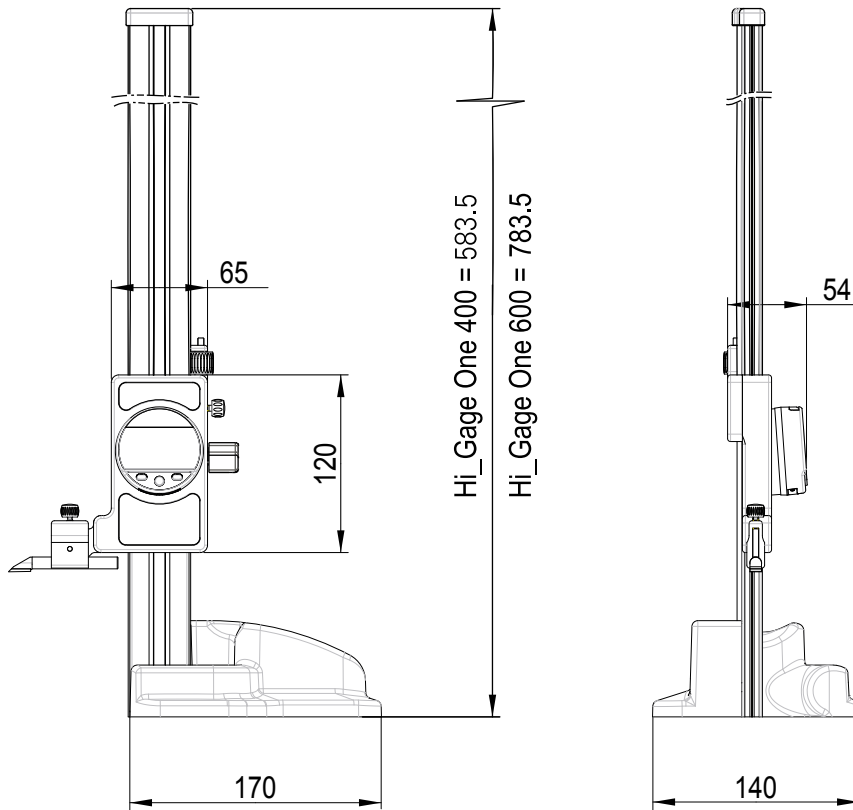




Height gauge

Hi_Gage ONE Smart

DIMENSIONAL DRAWINGS



TECHNICAL SPECIFICATIONS

	840-0406	840-0606
Measurement range mm	400	600
Resolution mm	0.01	0.01
Max. error μm	40	50
Repeatability μm	10 ¹⁾	10 ¹⁾
2 references	•	•
PRESET	9999.99	
Selection of measuring direction	•	
Smart Inductive Sensor (S.I.S)	•	
Output data	Tracing probe (840.9002)	
	Bluetooth® wireless technology* / RS232 / USB	

G

¹⁾ ± 1 digit

STANDARD DELIVERY

- Tracing probe (840-9002)
- Calibration certificate
- Quickstart