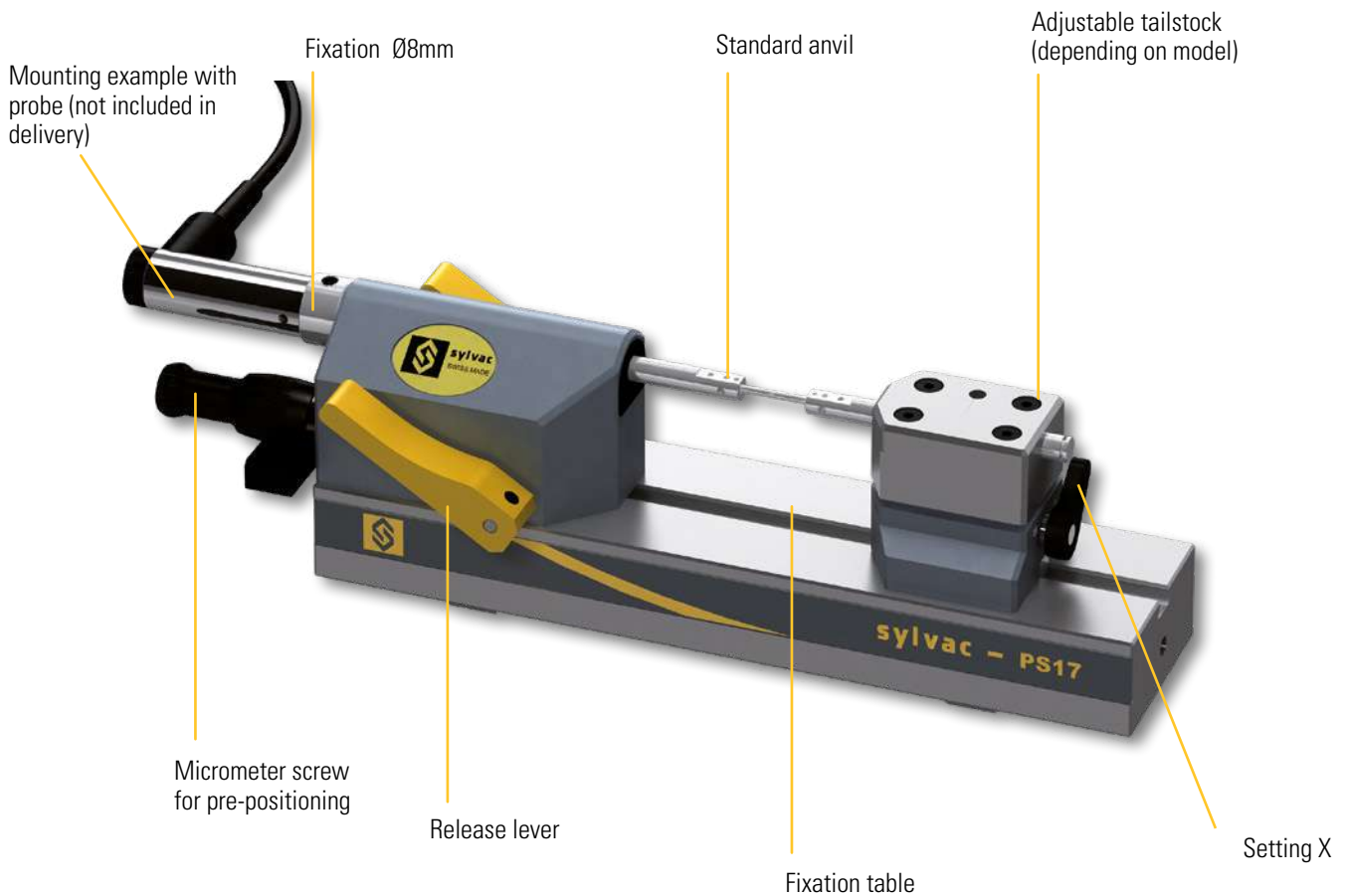


Bench table

PS17 VS

DESCRIPTION

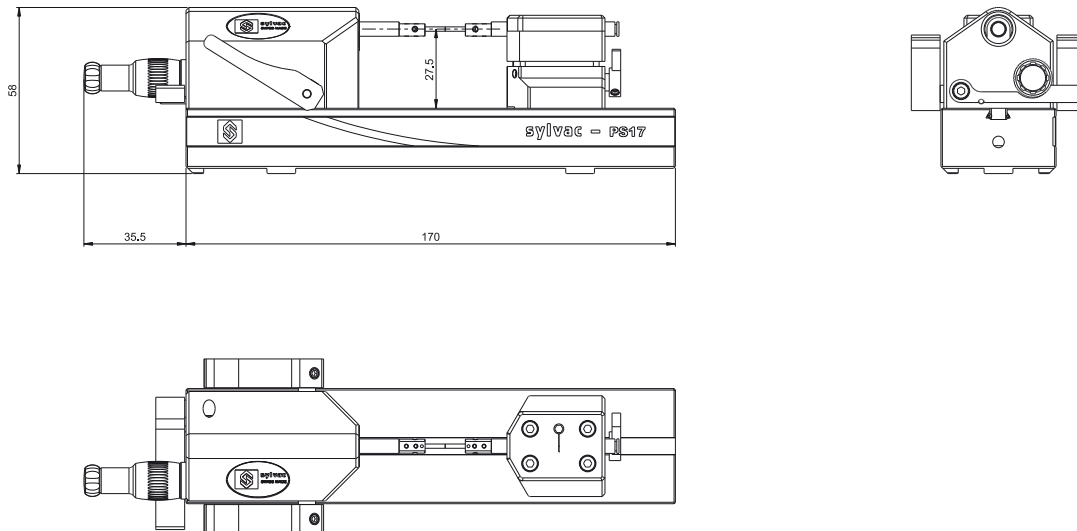
- Horizontal precision bench for measuring small external dimensions similar to the PS15 bench, but with a tailstock.
- Can be equipped with either a digital digital indicator or a Sylvac measuring probe.
- Robust cast iron construction
- 2 ergonomic levers for moving the movable axis with ball-bearing guide
- Equipped with a micrometric screw to control the recoil of the mobile axis.
- Compatible with Sylvac \varnothing 1.5 mm and Cary type anvils
- Supplied with hard metal measuring anvils \varnothing 1.5 mm
- Adjustable measuring force 0.2-1.0 N
- Measuring capacity 37 mm, measuring range 10 mm



Bench table

PS17 VS

DIMENSIONAL DRAWING



TECHNICAL SPECIFICATIONS

		908-1242
Type		VS ¹⁾
Measuring system		at choice ²⁾
Tailstock adjustable in Z ± 1.75 mm		•
Measurement capacity C	mm	37
Measuring scale	mm	10
Adjustable measuring force	N	0.2 - 1.0
Weight	kg	1.4
Clamping anvils $\varnothing 1.5$ mm		•
Compatibility with Cary		•
Micrometer screw		•

STANDARD DELIVERY

- Instrument according to technical specifications
- Instruction manual
- Measuring anvils $\varnothing 1.5$ mm (908-2175)
- Dust cover