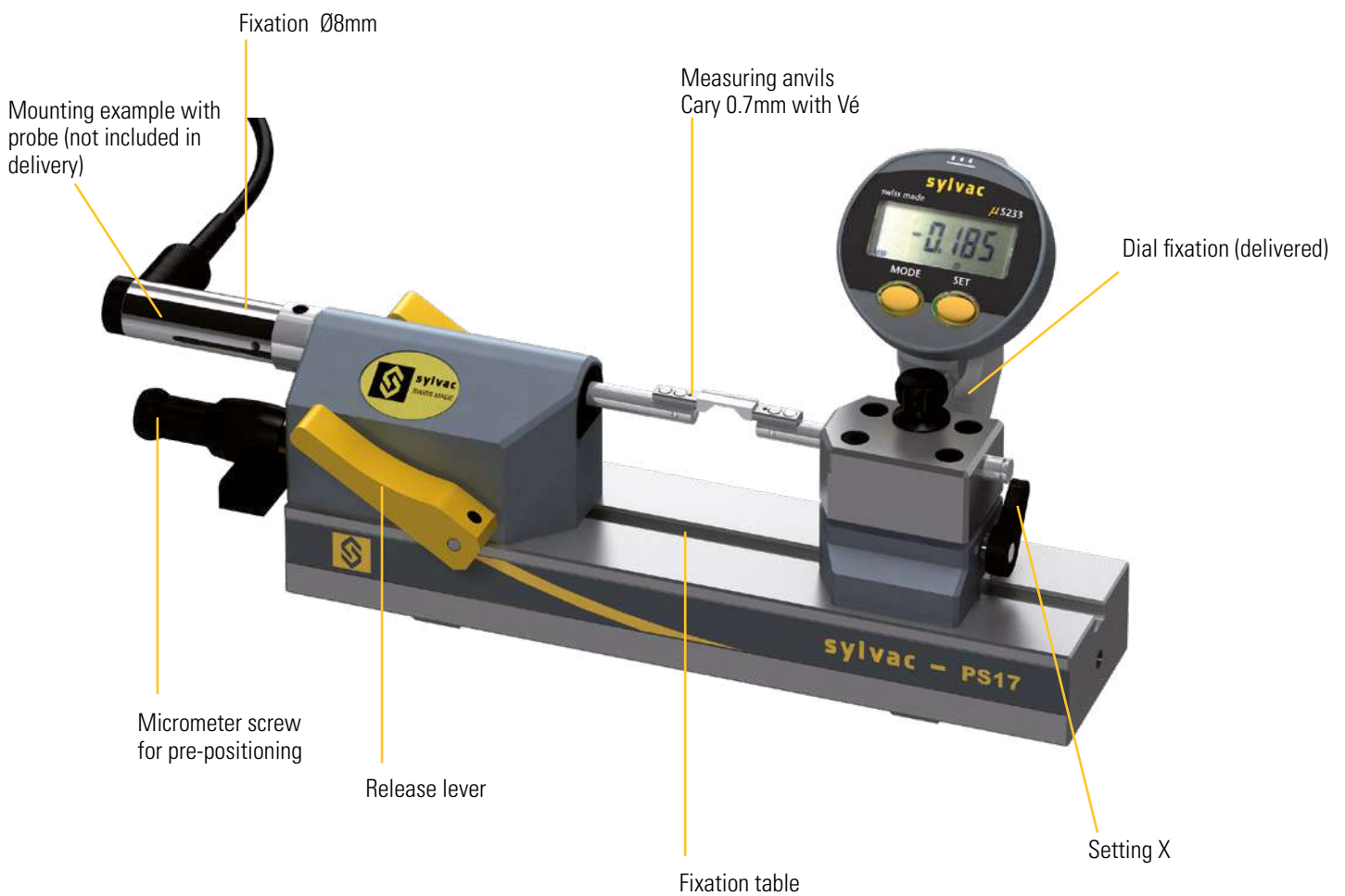


Bench table

PS17 Entre-portée

DESCRIPTION

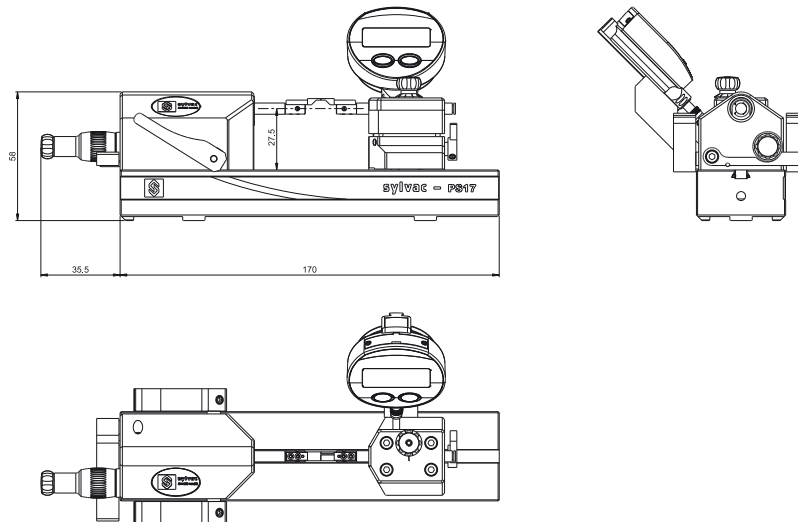
- Measuring bench with great flexibility of use for external dimensions
- Tailstock adjustable in X axis and in Z
- Mini indicator to display the position in Z axis (height) of the tailstock
- Delivered with carbide anvils 0.7mm with 90°V for the measure of distance width
- Accurate micrometer screw for pre-positioning
- Compatibility with Sylvac anvils (Ø1.5mm) and Cary type anvils
- Several accessories available



Bench table

PS17 Entre-portée

DIMENSIONAL DRAWINGS



TECHNICAL SPECIFICATIONS

		908-1244
Type		VS
Measuring system		at choice ¹⁾
Tailstock adjustable in Z	±1.75 mm	•
Measurement capacity C	mm	0 - 37
Measurement scale	mm	0 - 10
Measurement force	N	1
Working temperature (storage)	°C	5 - 40 (-10 - 60)
Weight	kg	1.4
Cary Compatibility		•
Micrometer screw		•

¹⁾ No-included on delivery

STANDARD DELIVERY

- Instrument according to technical specifications
- Instruction manual
- Measuring anvils Cary 0.7mm with Vé (908-2220)
- Mini digital indicator
- Dust cover