

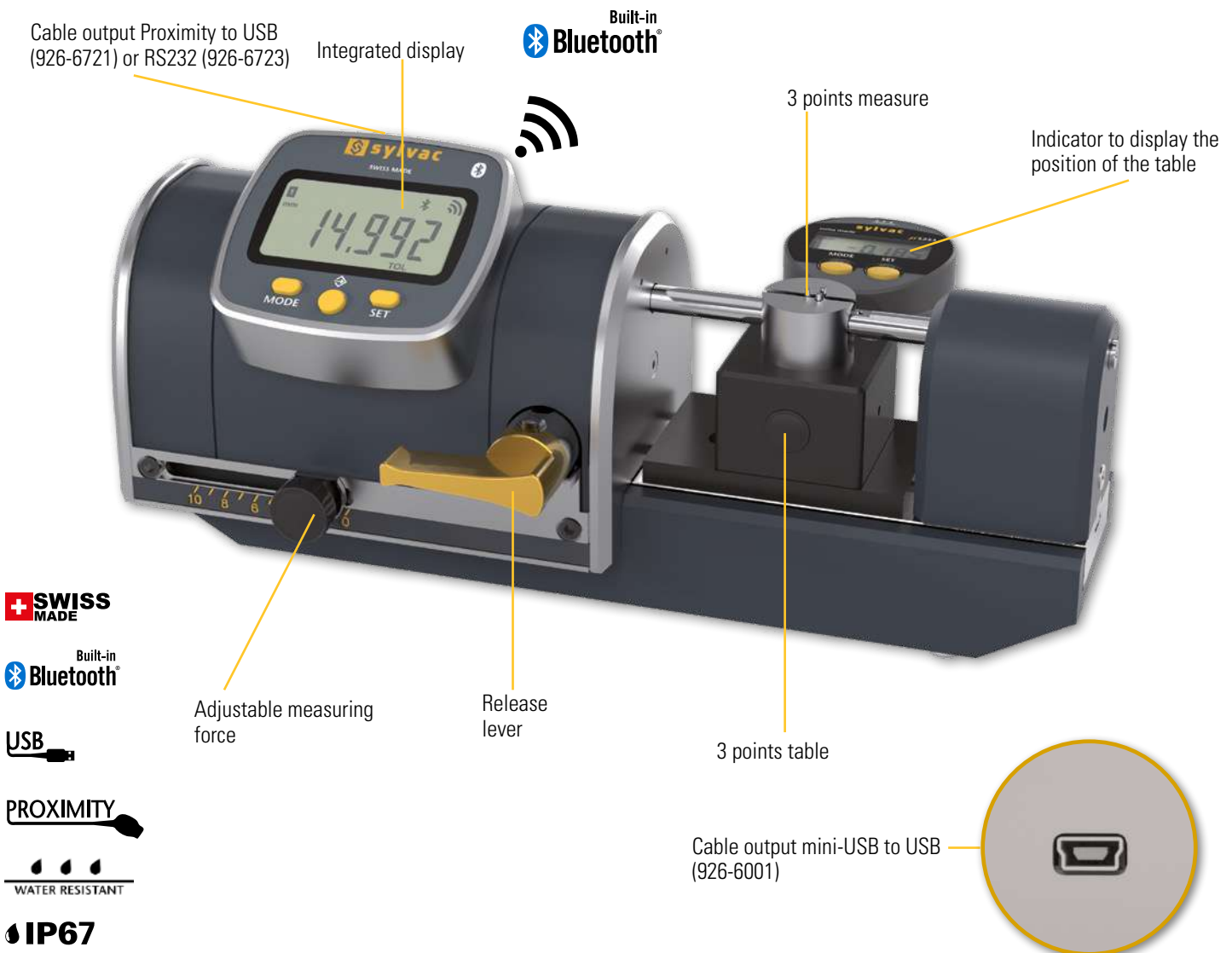
Bench table

PS16 V2 3-Points

DESCRIPTION

SMART

- Measuring bench similar to the PS16 V2 bench, but equipped with a table and anvils assembly allowing very small shallow internal diameters to be measured at 3 points, thanks to an electronic calculation function.
- Calibration using 2 rings supplied with the bench
- Table with fine height adjustment up to 3 mm with mini digital indicator for precise movement control
- Available in 5 versions :
 - 808-1335: version for measuring internal diameters 0.8 to 1.3 mm
 - 808-1336: execution for measuring internal diameters 1.3 to 2.5 mm
 - 808-1337: execution for measuring internal diameters 2.5 to 4 mm
 - 808-1338: execution for measuring internal diameters 4 to 8 mm
 - 808-1339: execution for measuring internal diameters 8 to 12.5 mm
- It is possible to obtain the placemats and anvils separately and to change them according to the dimensions to be measured, but this delicate operation requires a certain amount of dexterity.

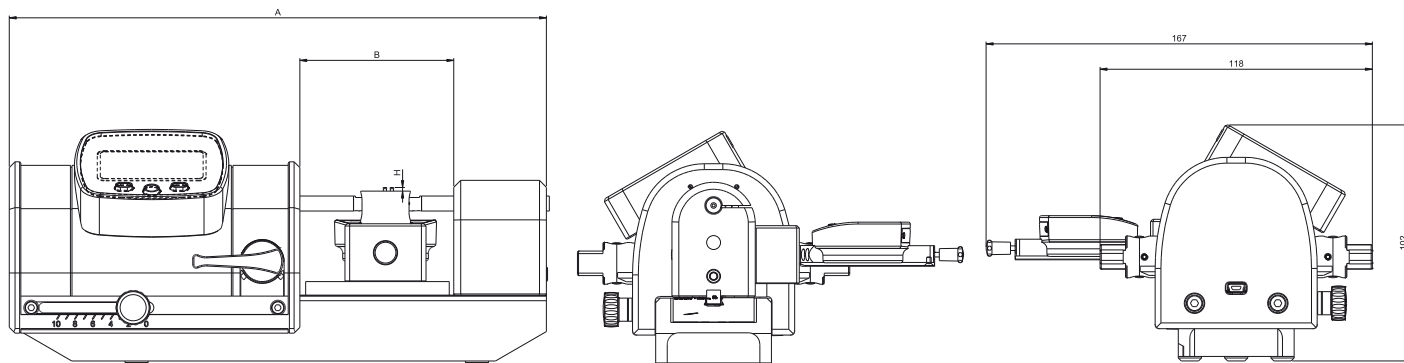


Bench table

PS16 V2 3-Points

DIMENSIONAL DRAWINGS

SMART



TECHNICAL SPECIFICATIONS

Internal measurement		808-1335	808-1336	808-1337	808-1338	808-1339
Max. Capacity C	mm	Ø0.8-1.3	Ø1.3-2.5	Ø2.5-4.0	Ø4.0-8.0	Ø8.0-12.5
Max. Error	µm	1.5				
Repeatability	µm	1				
Resolution	µm	0.1				
Measuring force (Adjustable)	N	0.1 - 0.6 ¹⁾				
Weight	kg	4.1				
Data output		Bluetooth® wireless technology* / RS232 / USB				
Anvils clamping dimension	mm	Ø1.5				
A	mm	232				
B	mm	60				

¹⁾ ± 20%

STANDARD DELIVERY

- Instrument according to technical specifications
- Lithium battery CR2477 included
- Adapter for Lithium battery CR2032
- Instruction manual
- Calibration certificate
- Table and anvils according to technical specification
- Mini indicator and 2 setting rings included
- Dust cover