

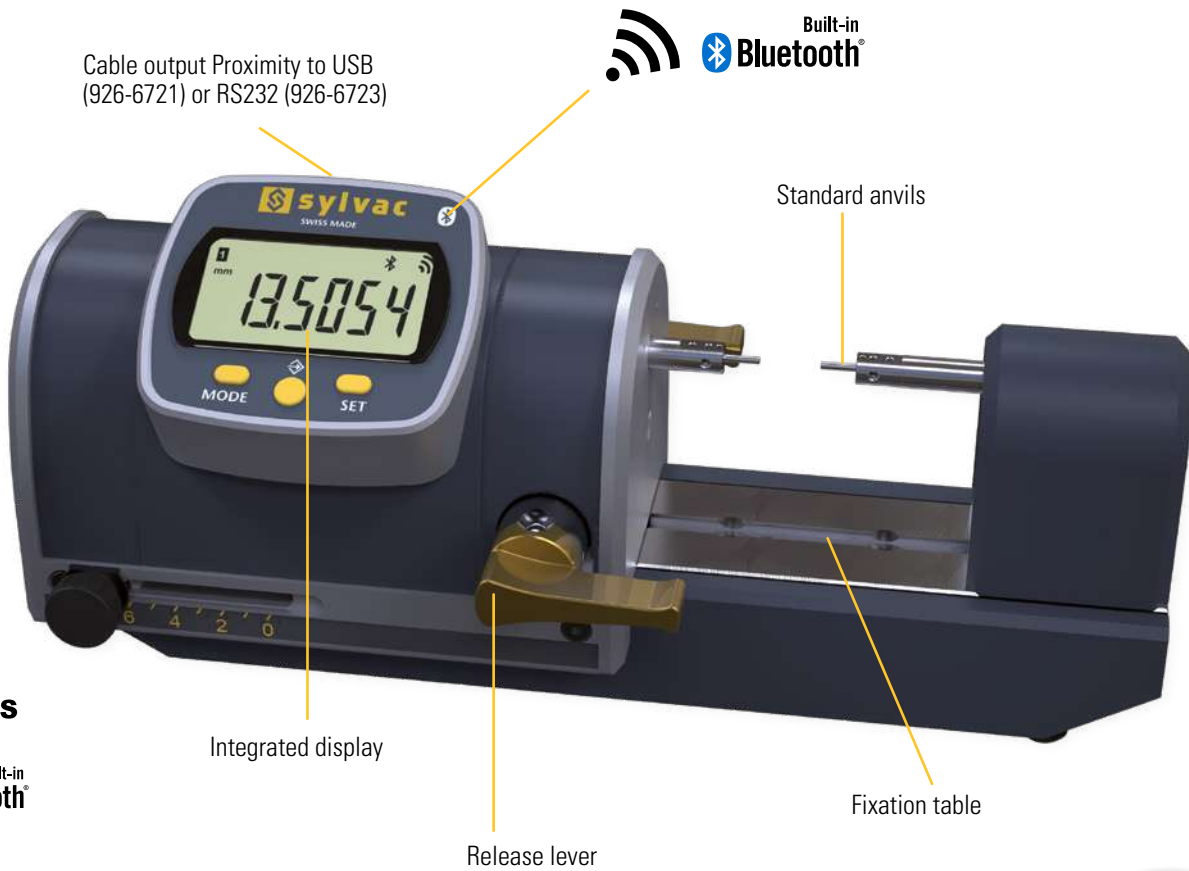
Bench table

PS16 V2

DESCRIPTION

SMART

- Precision horizontal measuring bench for the measurement of external dimensions
- Robust cast iron construction
- New design with integrated Bluetooth® system
- Large display resolution 0.0001 mm (0.1 µm) with tolerance status indication by colour LEDs
- Three buttons, including the central button with selectable favourite function
- 2 ergonomic, position-adjustable levers for moving the movable axis with ball bearing guide
- The position of the levers can be used to adjust the backward movement of the mobile axis.
- Compatible with Sylvac Ø 1.5 mm and Cary type anvils
- Supplied with hard metal measuring anvils Ø 1.5 mm
- Adjustable measuring force 0.1-0.6 N
- Measuring range 25 and 50 mm
- Additional data outputs Power and Proximity
- Protection class IP67



SWISS MADE

Built-in **Bluetooth**

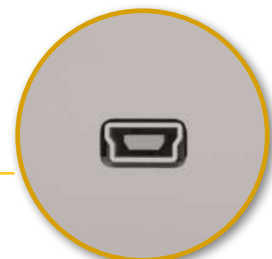
USB

PROXIMITY

WATER RESISTANT

IP67

Cable output mini-USB to USB (926-6001)

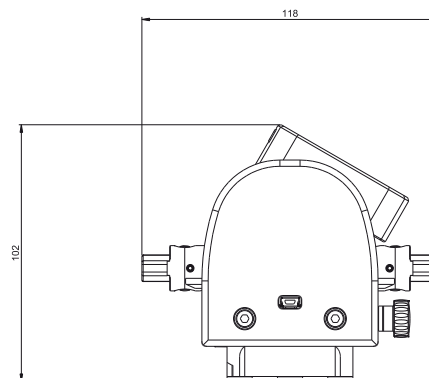
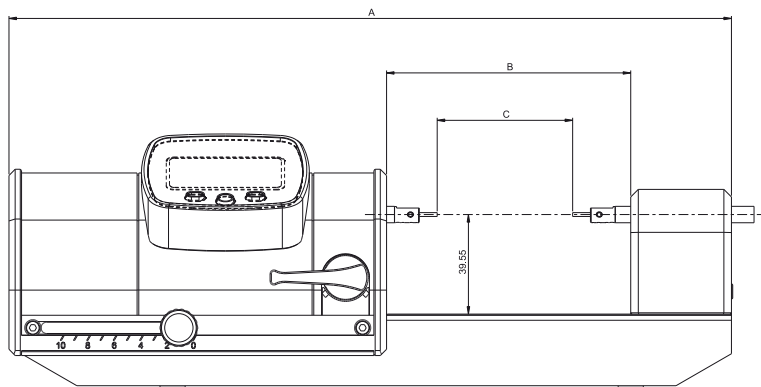


Bench table

PS16 V2

DIMENSIONAL DRAWINGS

SMART



TECHNICAL SPECIFICATIONS

External measurement		808-1231	808-1232
Max. Capacity C	mm	25	50
Max. Error	µm	1.5	2.0
Repeatability	µm	0.2	0.2
Resolution	µm	0.1	0.1
Measuring force (Adjustable)	N	0.1 - 0.6 ¹⁾	
Weight	kg	3.6	4.2
Output data		Bluetooth® wireless technology* / RS232 / USB	
Anvils clamping dimension	mm	Ø 1.5	
Cary compatibility		●	
A	mm	232	287
B	mm	66	97

¹⁾ ± 20%

STANDARD DELIVERY

- Instrument according to technical specifications
- Instruction manual
- Lithium battery CR2477 included
- Adapter for Lithium battery CR2032
- Calibration certificate
- Table not included
- Anvils Ø 1.5mm (908-2175)
- Dust cover