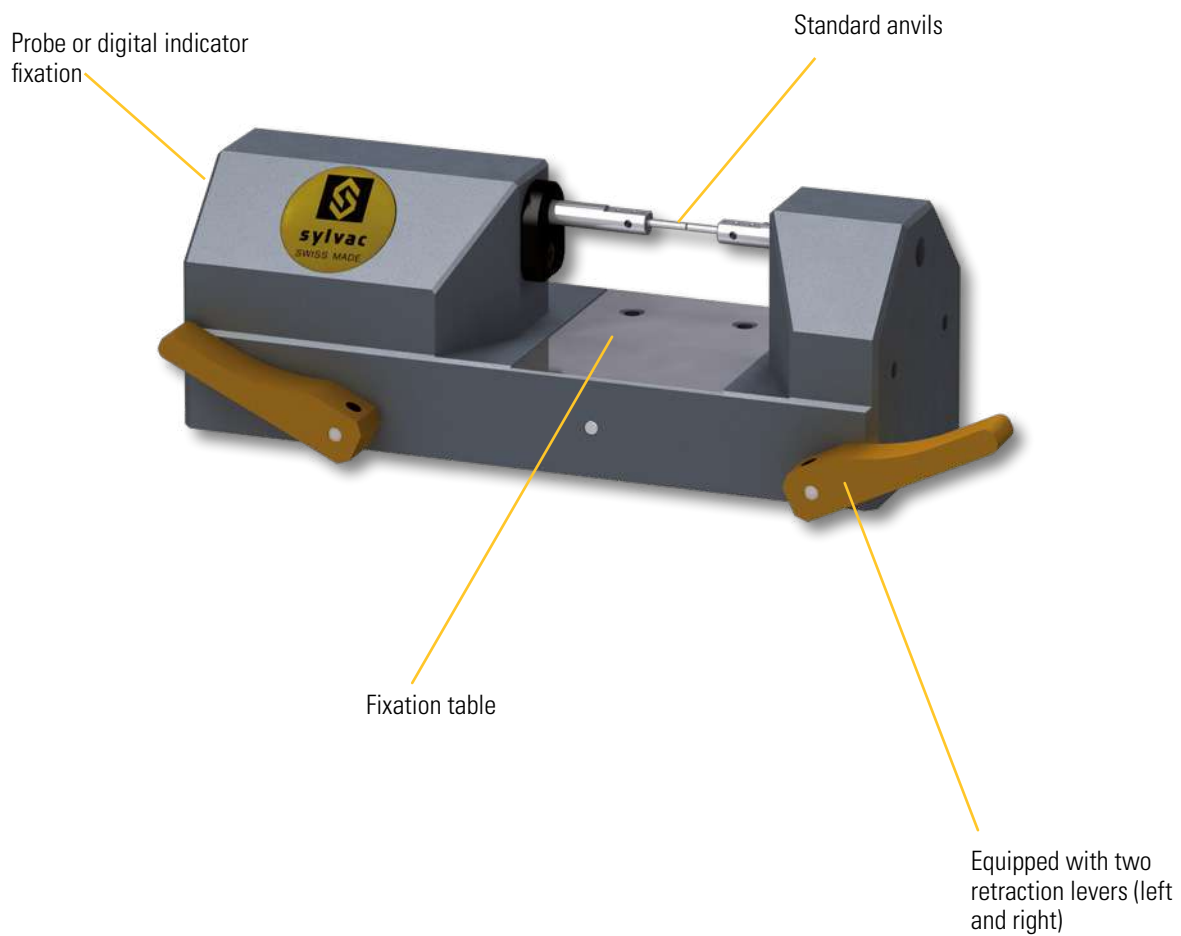


Bench table

PS15

DESCRIPTION

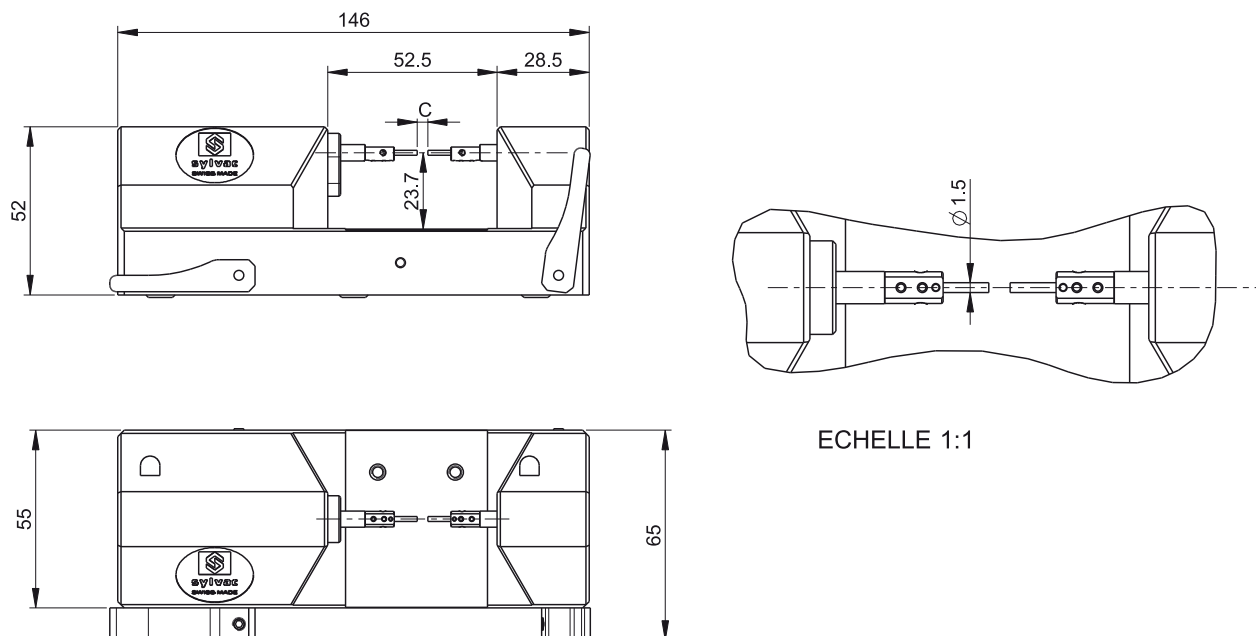
- Horizontal precision bench for measuring small external dimensions
- Can be equipped with either a digital digital indicator or a Sylvac measuring probe.
- Robust cast iron construction
- 2 ergonomic levers for moving the movable axis with ball-bearing guide
- Compatible with Sylvac Ø 1.5 mm and Cary type anvils
- Supplied with hard metal measuring anvils Ø 1.5 mm
- Adjustable measuring force 0.3-1.0 N
- Measuring capacity 20 mm, measuring range 10 mm
- Wide choice of measuring anvils and support tables



Bench table

PS15

DIMENSIONAL DRAWINGS



ECHELLE 1:1

TECHNICAL SPECIFICATIONS

		808-1215
Type		PS15BH
Max. Capacity C	mm	20
Measuring range	mm	10
Adjustable measuring force	N	0.3 - 1.0
Max. error	µm	Probe P10 : 0.6µm / Digital indicator S_Dial : 1.6 - 3µm
Weight	kg	1.8
Measuring direction		Horizontal
Anvils fixation		Ø 1.5 mm
Cary Compatibility		•

STANDARD DELIVERY

- Instrument according to technical specifications
- Instruction manual
- Measuring anvils Ø 1.5 mm (908-2175)
- Allen anvils 2 and 2.5 mm
- Dust cover